

## Products & Applications

>> [Home](#) > [Products & Applications](#) > [Soldering/Desoldering](#) > [MFR-2200 Series](#) > [MFR-2240](#)



### Technical Specificatio

MFR-2210, MFR-2220, MFR-2241

**Input Line Voltage / Freq**

100- 240 VAC, 50/60 Hzgr

**Power Consumption:**130

**Output Power Maximum:**

60 Watts max. at 22° C pe

**Idle Temperature Stabilit**

**Ambient Operating Temp**

10- 40° C (50° F - 104° F)

**Maximum Enclosure Tem**

**Power Cord 3-Wire:**183cr

(S = 600 Volt Service Cora

Volt, T = Thermoplastic)

**Hand-piece Cable Length**

L=122cm (48"), burn resist

**Hand-piece Connector:**8-

**Tip-to-Ground Potential:**

**Tip-to-Ground Resistance**

**Certification / Marking:**c<sup>7</sup>

**Power Supply Dimension:**

170mm x 200mm x 152.5n

**Workstand Dimensions w**

100 mm x 200 mm x 100 n

**Surface Resistivity:**10<sup>5</sup>-1C

**Weight:**

**MFR-PS2200:** 2.97 kg (6.5

## MFR-2240

Use the precision tweezers to rework SMD components with fine dimension to large blade geometries..

### Key Features & Benefits

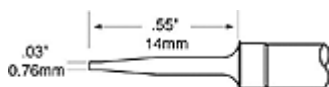
- SmartHeat® Technology provides exceptional power for high thermal demand applications
- Dual **simultaneous** outputs allow for single or dual operator use
- Allows one operator to use one or two hand-pieces together
- Offers a comprehensive range of tweezer cartridges
- Hand-pieces are ergonomic for operator safety and comfort

### MFR-2240 Dual output, one precision tweezers hand-piece, workstand

Part No.	Description
MFR-2240	Dual output, one precision tweezers hand-piece, workstand
<b>Includes</b>	
MFR-HR-TW	Hand-piece, Tweezers Cartridge
MFR-PS2200	Power Supply, Dual Simultaneous Output
MFR-WSPT	Workstand for Tweezers Hand-piece (MFR-H4-TW), Black Cradle (standard)

*Contents subject to change without notice"*

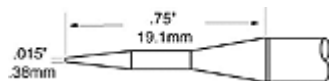
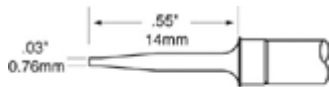
## Precision Tweezer Cartridges



**TFP-BLP1**  
Tweezer Cartridge, Blade 1.0mm  
(0.04") Pair



**TFP-BLP2**  
Tweezer Cartridge, Blade 2.0mm  
(0.08") Pair



**TFP-CNP1**  
Tweezer Cartridge, Conical 0.4mm  
(.015") Pair

**Hand-piece:** 0.115 kg (0.25 lbs)  
**Workstand:** 0.686 kg (1.51 lbs)  
**MFR-PS2200 w/ 2 hand-pieces:** 4.57 kg (10.08 lbs)

### Soldering Tip Heater

With hand soldering, the solder connection, substrate and without throughput. All of the tips & rework cartridge with glass fiber (FR4) denoted by the second "F". For example: **SFP-CNL10**.

However, some special working with their temperature sensitive ceramic hybrids or International has developed that quickly deliver to operate at temperature of substrate damage. replacing the "F" in the for temperature sensitive loads. Please contact for information and availability of heaters. For example: **S**

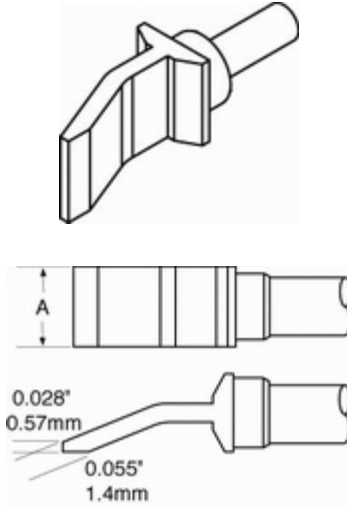
**F** = Standard  
**T** = Temperature  
**C** = Ceramic



Precision

## Standard Tweezer Cartridges

### BLADE TIPS



**TFP-BLH40**  
 Heavy Duty Tweezer Pair  
 A=6.35mm (.25")

**TFP-BLH50**  
 Heavy Duty Tweezer Pair  
 A=16mm (.62")

**TFP-BLH60**  
 Heavy Duty Tweezer Pair  
 A=20.5mm (.81")

**TFP-BLH70**  
 Heavy Duty Tweezer Pair  
 A=28mm (1.1")



Precision Twe

To order specialty versions of the Precision Tweezer Cartridges replace the "F" in the part number with the appropriate letter designate for your application when ordering:

**T** = Temperature Sensitive **C** = Ceramic or Heavy Load

© 2007 OK International., All rights reserved.



Work listed are for indication/guidance only. Numbers have been rounded.

[Home](#) | 
 [Code of Business Conduct](#) | 
 [Terms & Conditions](#) | 
 [Privacy Policy / Legal](#) | 
 [Site Map](#)  
[Soldering/Desoldering Systems](#) | 
 [Fluid Dispensing Systems](#) | 
 [Fume Extraction](#) | 
 [Soldering Irons](#) | 
 [Metcal MX](#) | 
 :

up. Please contact your local technical support if you require specific technical information.